

1

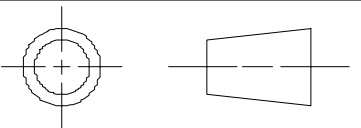
2

3

4

5

6



A

A

B

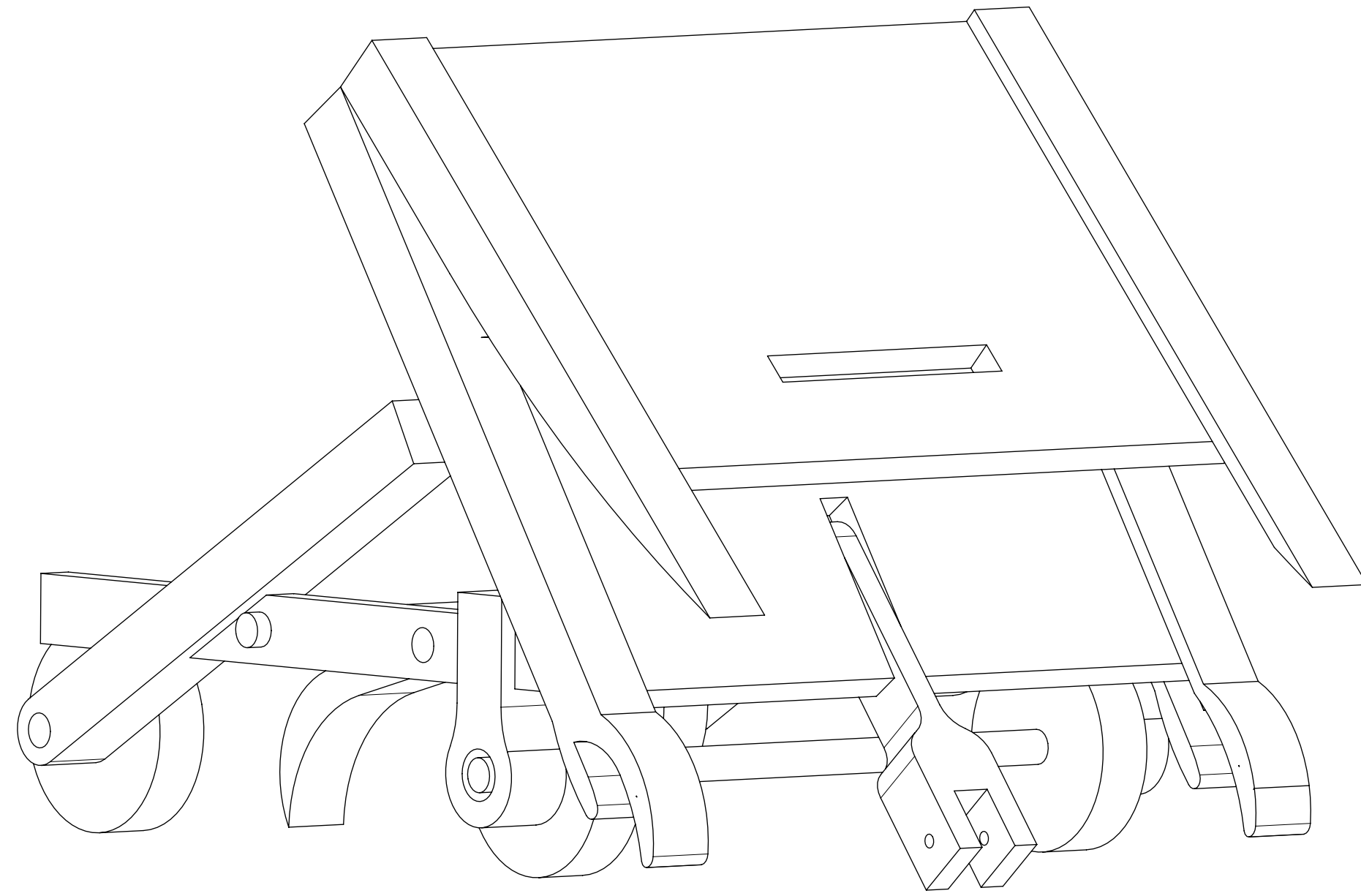
B

C

C

D

D



ALL DIMENSIONS IN INCHES

SIEMENS		THIS DRAWING HAS BEEN PRODUCED USING AN EXAMPLE TEMPLATE PROVIDED BY SIEMENS PLM SOFTWARE		
FIRST ISSUED	11/13/2015	TITLE Build a Bridge		
DRAWN BY	Team 5			
CHECKED BY				
APPROVED BY				
		SIZE	DRG NO.	SHEET REV
		B	Build a Bridge assembly-rev 2	A
		SCALE 1:1		SHEET 1 OF 1

1

2

3

4

5

6